



KPC | UK

Killeshal Precast

building into the future since 1969

C250 galvanised steel narrow slot heel - guard grating 1000mm long **Ref: GNH100KCC**

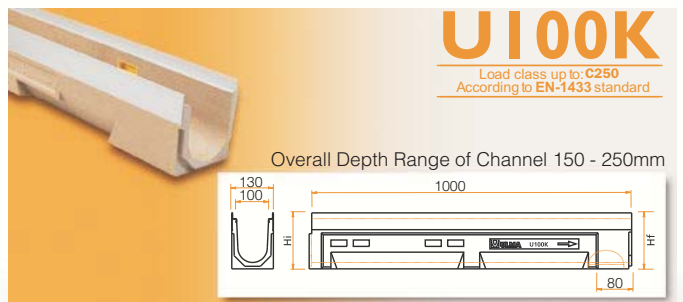
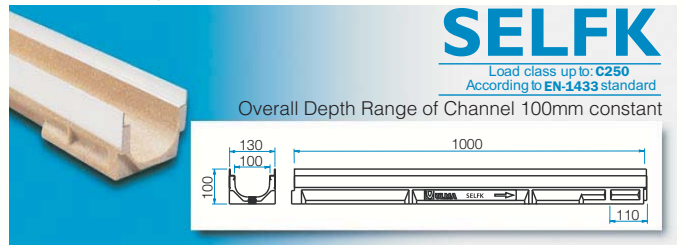
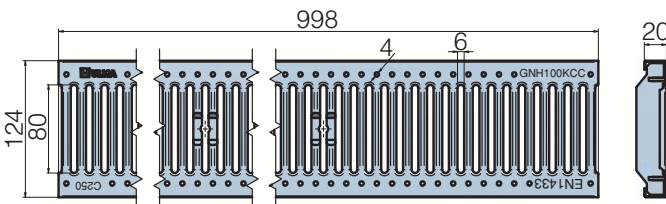
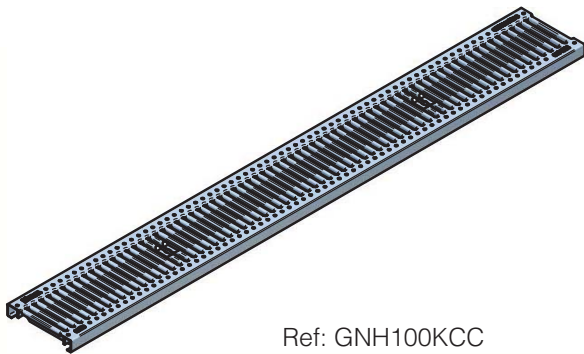


BENEFITS INCLUDE:

- C250 Loading – Medium Duty traffic/some Heavy Duty traffic applications.
- Maintenance free.
- Galvanised finish – eliminates oxidisation (discolouration) which is a natural process for ductile iron.
- The narrow opening between the slots provides heel - guard compliance ensuring that this product is suitable for mixed areas of pedestrian and traffic applications.

APPLICATIONS:

- Designed to suit ULMA **SELFK** and **U100K** Polymer Concrete Pre-Fabricated Drainage Channel Systems.



Killeshal Precast Concrete Ltd.

Tel: 0800 0393367 Fax: 00353 57 9353272

email: sales@killeshalprecast.co.uk Web: www.killeshalprecast.co.uk



KPC | UK

Killeshal Precast

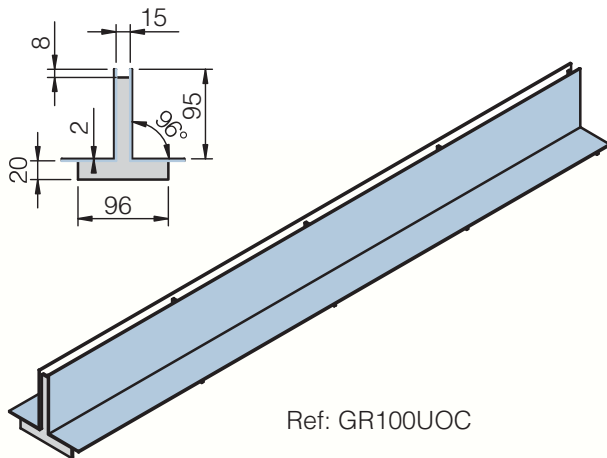
building into the future since 1969

C250 galvanised steel brickslot grating 1000mm long Ref: GR100UOC



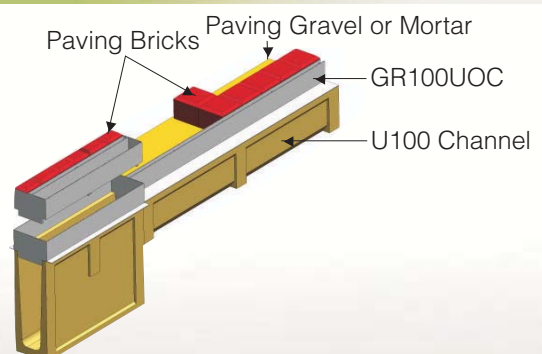
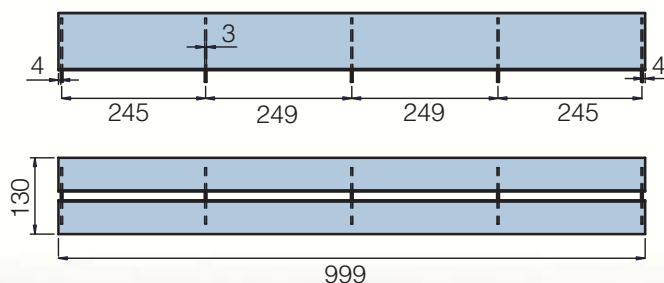
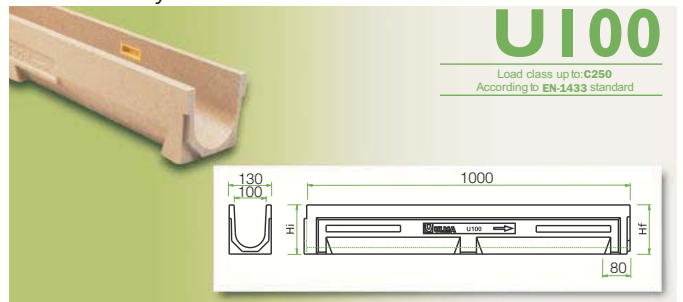
BENEFITS INCLUDE:

- C250 Loading – Light Duty traffic/some Medium Duty traffic applications.
- Maintenance free.
- Galvanised finish – eliminates oxidation (discolouration) which is a natural process for ductile iron.



APPLICATIONS:

- Designed to suit ULMA **DOMO** and **U100** Polymer Concrete Pre-Fabricated Drainage Channel Systems.



Killeshal Precast Concrete Ltd.

Tel: 0800 0393367 Fax: 00353 57 9353272

email: sales@killeshalprecast.co.uk Web: www.killeshalprecast.co.uk