



Killeshal Precast Concrete Ltd
 Dasingain, Co. Offaly, Ireland

Tel: +353 57 9353018

Fax: +353 57 9353272

E-Mail: sales@killeshal.com

Web: www.killeshal.com

Seat/221

Burns Seat

Doc Ref:-Kilform 286/04/08 Rev Lvl 7

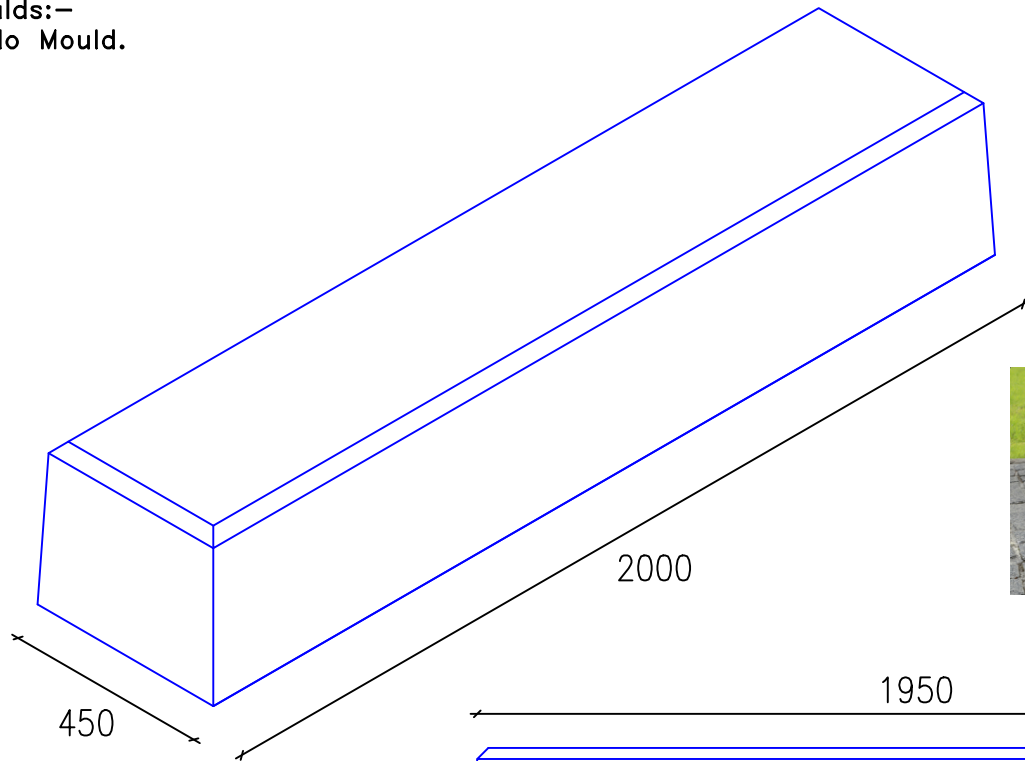
Drawn By DON 06/12/2013 Approved By

Approx Weight 870 Kgs P.N. 06/12/13

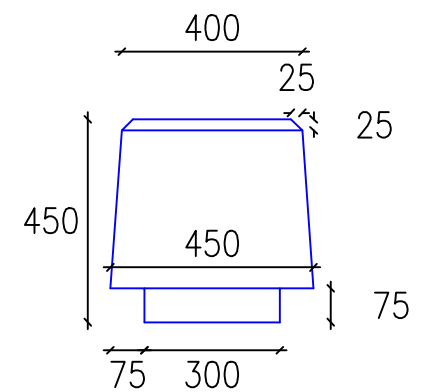
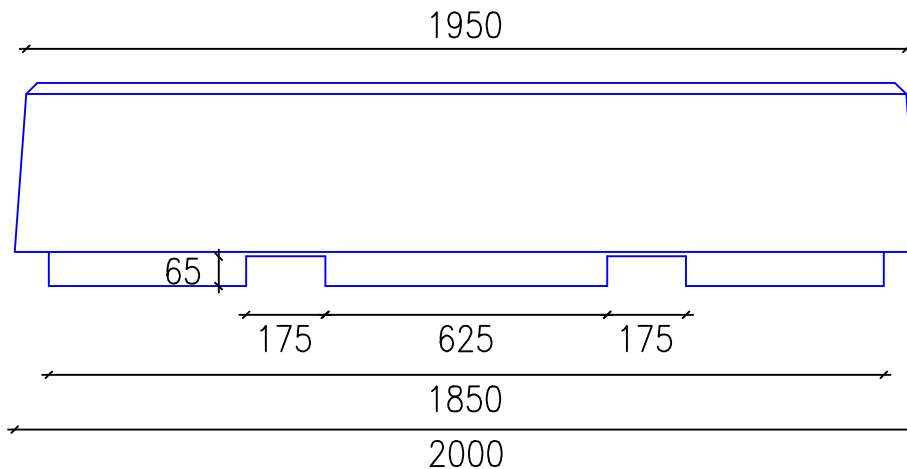
Note: All Vertical Faces Would Typically have a Taper of 4 mm in 100 mm.

All dimensions as per drawing and allowable tolerances		Bolts as per specification and drawing		Quantity as per order		Welding visually correct	
Number of moulds accepted	Number of moulds Rejected	Reason for rejection		Date	Checkers initials		

Moulds:-
 4 No Mould.



Available in Buff coloured or White Reconstituted Granite



Scale (1:16)

The information contained in this drawing was up to date at time of going to print. Profiles, sizes, weights and mould numbers are given as an indication only. Killeshal Precast Concrete Ltd reserves the right to modify these at any time without notice.