



**Killeshal Precast Concrete Ltd**  
 Daingean, Co. Offaly, Ireland  
 Tel: +353 57 953018  
 Fax: +353 57 9353272  
 Email: sales@killeshal.com  
 Web: www.killeshal.com

**74.045**

**Cima LED Bollard**

Doc Ref: Kilform 286/04/08

Rev Lvl 7

Drawn By NM 27/10/2015

Approved By

Approx Weight ?? Kgs

PN 19/06/14

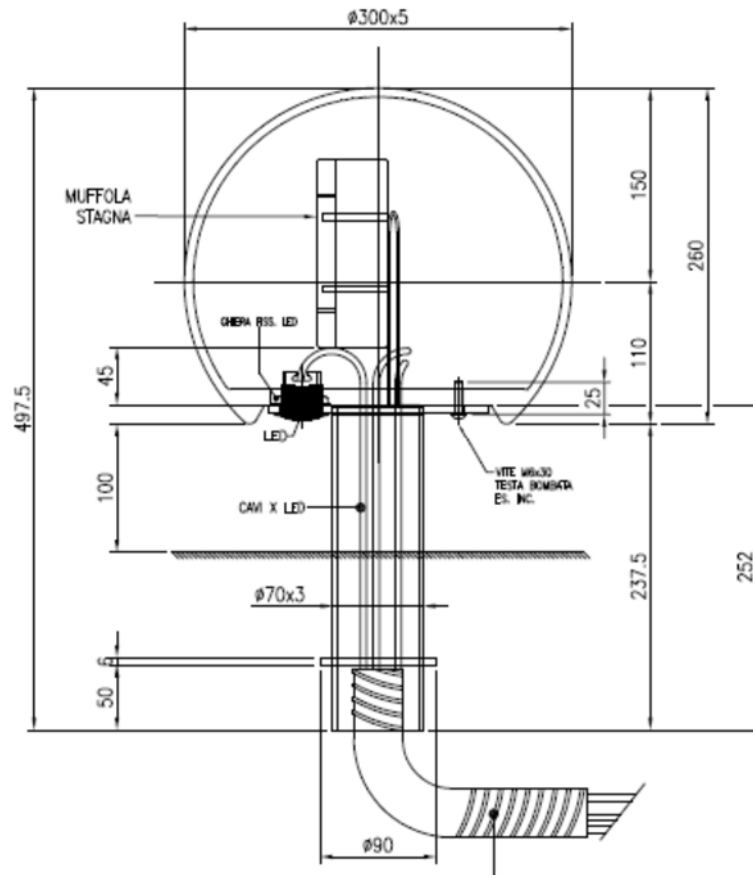
Note: In Concrete Products, all Vertical Faces would typically have a taper of 4mm in every 100mm.

All dimensions as per drawing and allowable tolerances

Bolts as per specification and drawing

Quantity as per order

Welding Visually Correct



Manufacturer's Reference 26 1510

Max Units per Pallet 24 no.

Scale N.T.S.

