



**Killeshal Precast Concrete Ltd**  
**Daingean, Co. Offaly, Ireland**  
**Tel: +353 57 953018**  
**Fax: +353 57 9353272**  
**Email: sales@killeshal.com**  
**Web: www.killeshal.com**

**74.016**

**ZTL Bench with Backrest**

Doc Ref: Kilform 286/04/08

Rev Lvl 7

Drawn By NM 27/10/2015

Approved By

Note: In Concrete Products, all Vertical Faces would typically have a taper of 4mm in every 100mm.

Approx Weight 106 Kgs

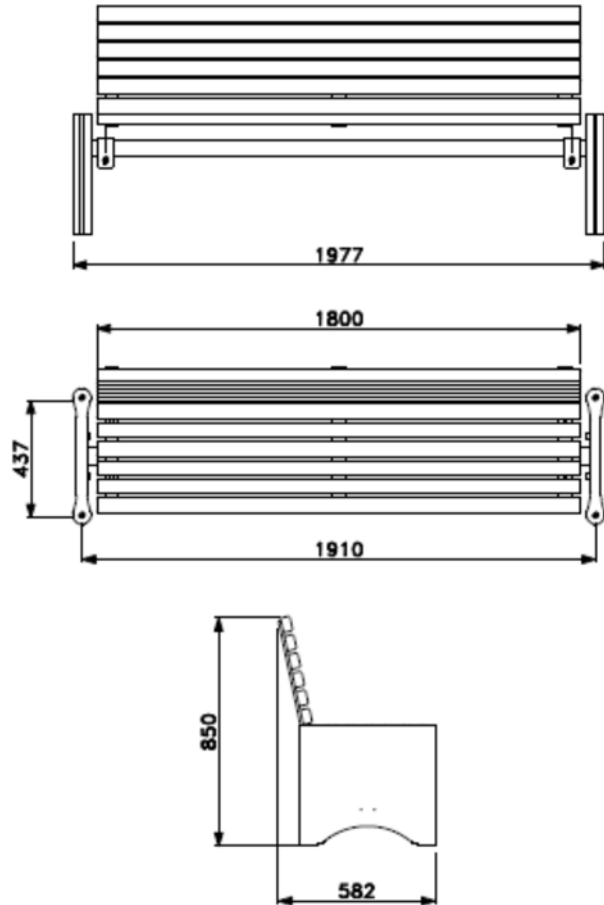
PN 19/06/14

All dimensions as per drawing and allowable tolerances

Bolts as per specification and drawing

Quantity as per order

Welding Visually Correct



|                          |         |
|--------------------------|---------|
| Manufacturer's Reference | 00 6000 |
| Max Units per Pallet     | 5 no.   |
| Scale                    | N.T.S.  |

