



**Killeshal Precast Concrete Ltd**  
 Daingain, Co. Offaly, Ireland

**Tel: +353 57 9353018**

**Fax: +353 57 9353272**

**E-Mail: sales@killeshal.com**

**Web: www.killeshal.com**

Seat/222

London Seat.

Doc Ref:-Kilform 286/04/08 Rev Lvl 7

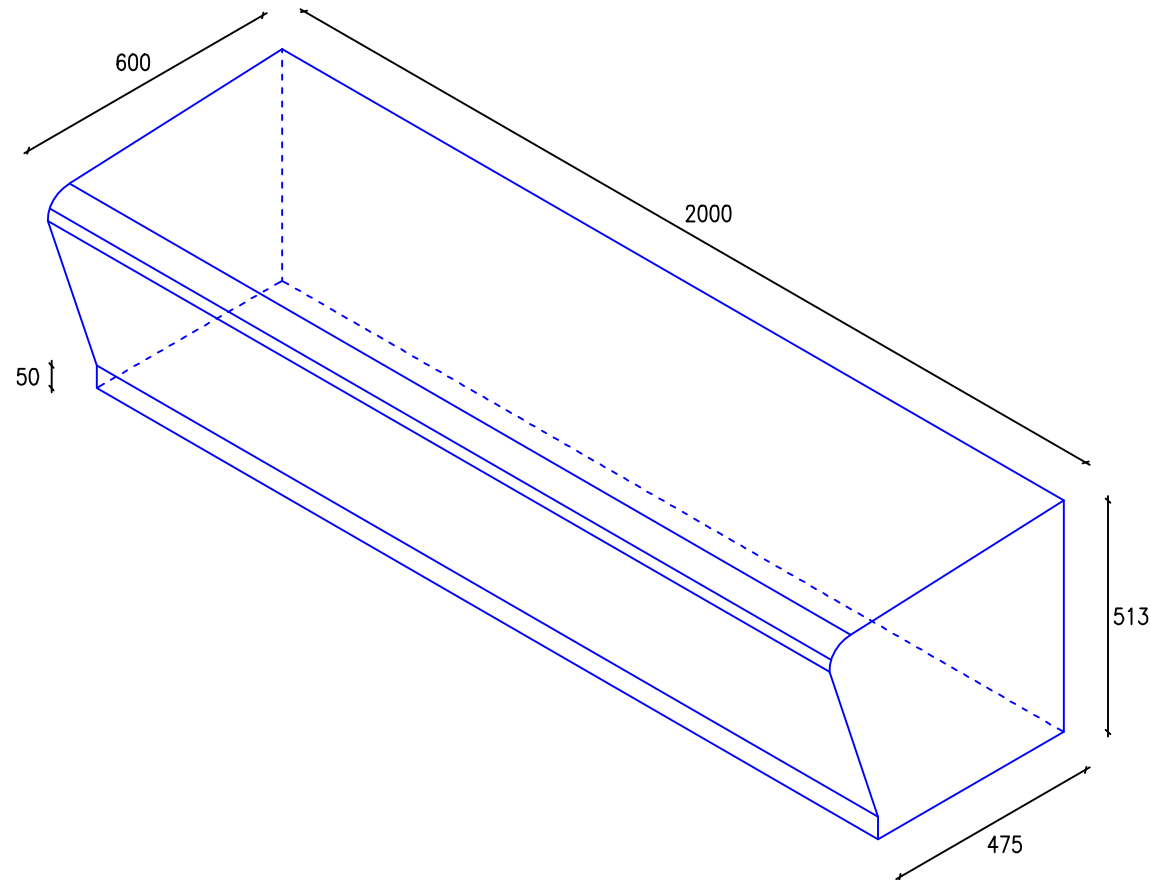
Drawn By DON 06/03/2014 Approved By

Approx Weight 1477Kgs/M P.N. 06/03/14

Note: All Vertical Faces Would Typically have a Taper of 4 mm in 100 mm.

All dimensions as per drawing and allowable tolerances		Bolts as per specification and drawing		Quantity as per order		Welding visually correct	
Number of moulds accepted	Number of moulds Rejected	Reason for rejection		Date	Checkers initials		

Moulds:-  
 3 No. Moulds @ 2000mm.



Scale (1:16)